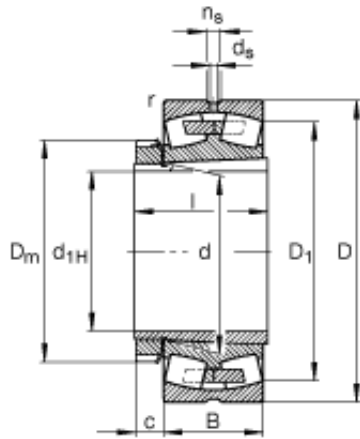




Sean-NTN Driveshaft CORP.

180 mm x 300 mm x 96 mm FAG 23136-E1A-K-M + H3136 GERMANY Bearing 160*300*96



Bearing No. 23136-E1A-K-M + H3136

23136-E1A-K-M + H3136 Bearing 2D drawings and 3D CAD models

Size	160x300x96 mm
Bore Diameter	160 mm
Outer Diameter	300 mm
Width	96 mm
d_{1H}	160 mm
D	300 mm
B	96 mm
$B_{a \min}$	8 mm
c	30 mm
D_1	264,8 mm
$D_{a \max}$	286 mm
D_m	230 mm
d	180 mm
$d_{a \max}$	204 mm
$d_{b \min}$	180 mm
d_s	8 mm
l	131 mm
n_s	15 mm
$r_{a \max}$	2,5 mm
r_{\min}	3 mm
	H3136 / Adapter sleeve
m	25,5 kg / Weight
m_1	9,67 kg / Weight, adapter sleeve



Sean-NTN Driveshaft CORP.

C_r	1420000 N
e	0,29
Y_1	2,32
Y_2	3,45
C_{0r}	1950000 N / Static load rating (radial)
Y_0	2,26
n_G	2230 1/min / Limiting speed
n_B	1370 1/min / Reference speed